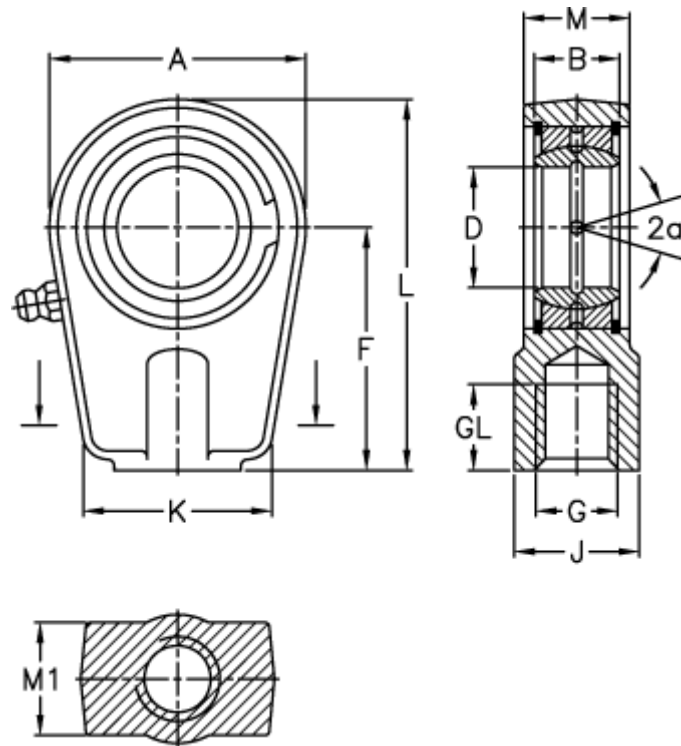


Article number: 03552110

Description: Fluro hydraulic rod end FPR 110N

## Measures



A	= 265	J	= 152
a (degrees)	= 6	K	= 220
B	= 70	L	= 408.2
D	= 110	M	= 80
Dynamic load C (kN)	= 655	M1	= 74
F	= 265	Static load C0 (kN)	= 1700
g	= M120x3	Weight	= 39200
GL	= 125		